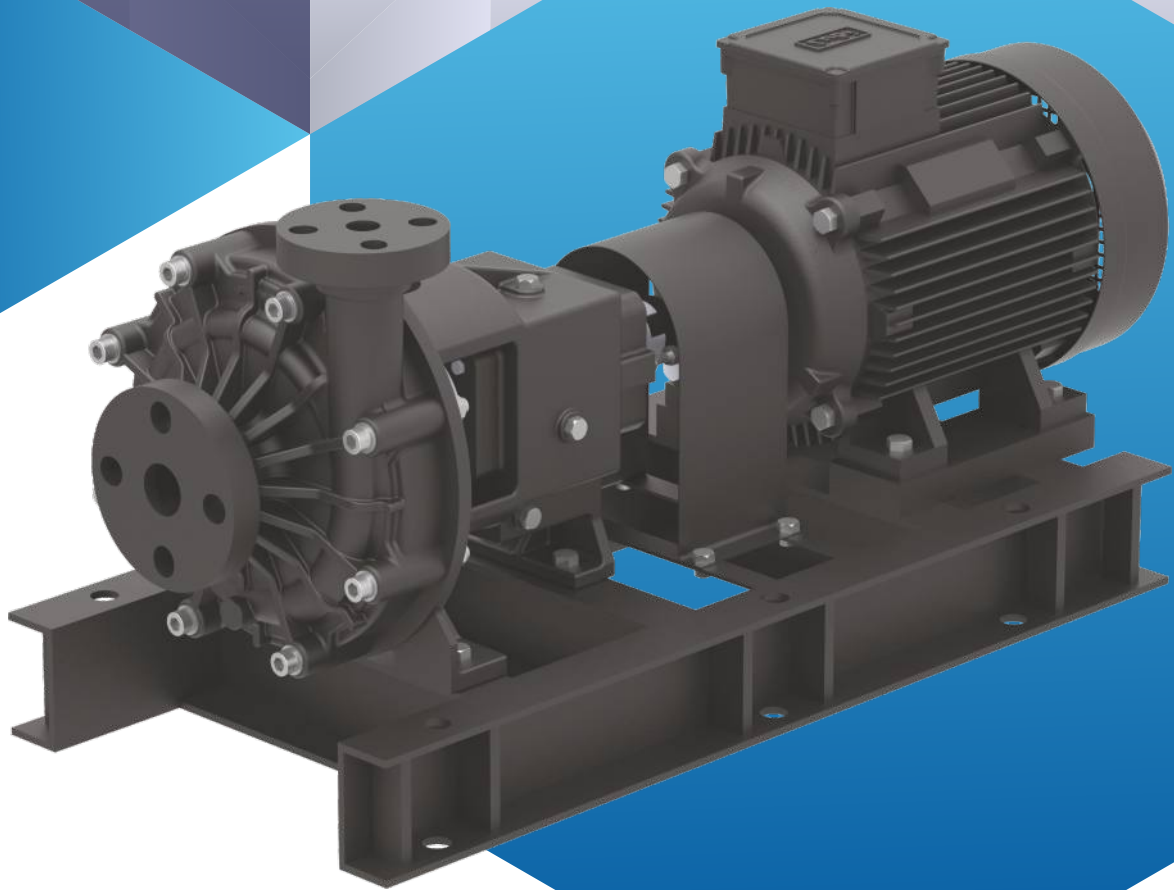




Passion for Pumps™

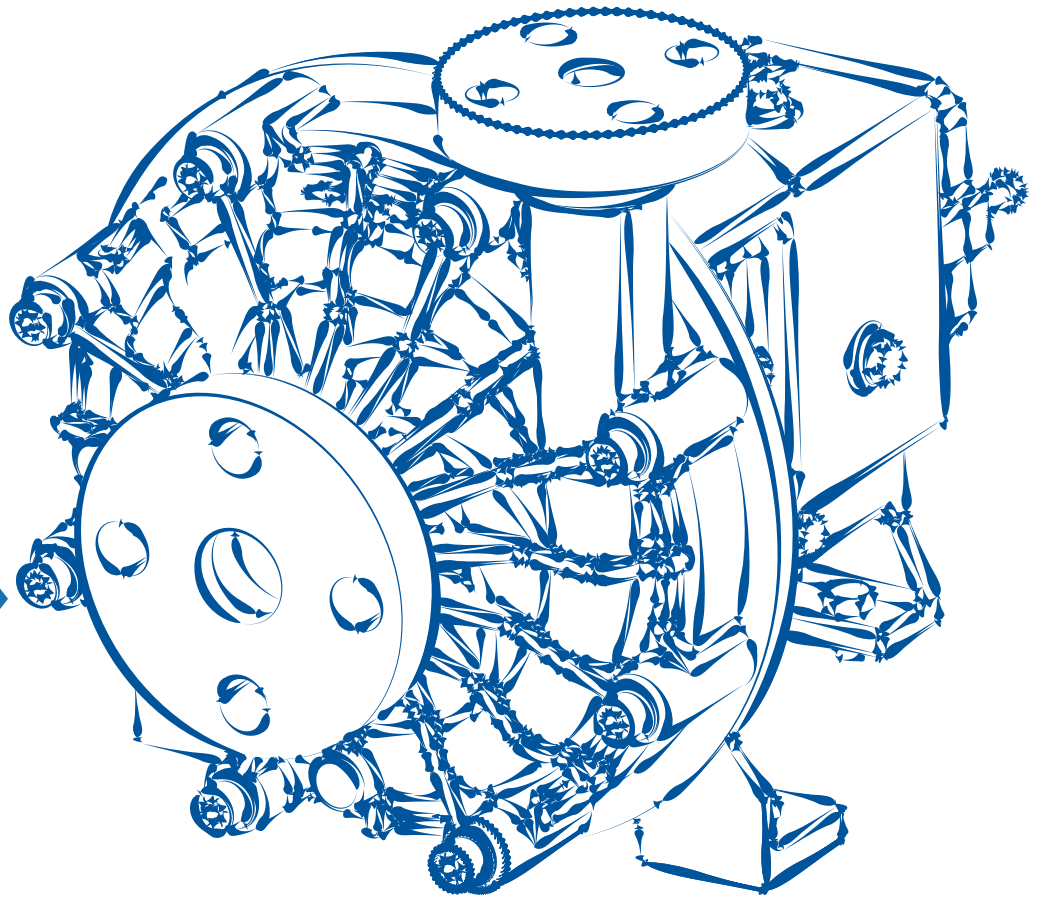


LAC SERIES

Chemical Thermoplastic
Centrifugal Pumps

50 Hz

www.lubipumps.com



INTRODUCTION

The Lubi LAC series are corrosion resistant thermoplastic pumps designed for continuous pressure circulation or transfer of high corrosive liquids / fluids which are compatible with the pump component materials.

The pump discharge can be rotated 90° as per requirement. These pumps are available in Polypropylene, Polyphenylene Oxide and PVDF material of construction. These pumps are available as Long-coupled with standard TEFC electric motor as well as Flame Proof motor.

POLYPROPYLENE

Polypropylene pumps have wide acceptance in Chemical Industry for handling corrosive liquids / fluids and a suitable choice for handling acids and alkalis.

PVDF

PVDF pumps have wide acceptance in Chemical Industry for handling of corrosive liquids / fluids and a suitable choice for handling Hydrochloric acid, Caustic liquids, acids and alkalis

POLYPHENYLENE OXIDE

Polyphenylene Oxide pumps have wide acceptance in Chemical Industry for handling corrosive liquids / fluids and suitable choice for handling acids, alkalis and inorganic solvents.



Chemical Thermoplastic Centrifugal Pumps

PRODUCT FEATURES

- State-of-the art compact design
- Easy and simple to install
- User-friendly operation
- Quiet running
- Reliable and robust construction
- Back pull-out design which simplifies inspection and maintenance
- Rotating parts are dynamically balanced which ensure vibration free performance and enhanced life
- High performance hydraulics
- Double-row angular contact motor side and single-row deep groove pump side bearings provide excellent axial and radial load support.
- Rigid foot design
- Proper oil lubrication is essential for long-term life of bearings and Pumpset
- 'D' type Impeller locking to avoid failure due to reverse rotation

APPLICATIONS

Chemical process
Pharmaceutical
Food & Beverage processing
Steel plants
Automobiles
Marine/Sea water
Water supply
Booster service
Cooling water
Water treatment/Purification
OEM
Drug and pharmaceutical
Agro chemicals
Detergents and caustics

SEAL DESCRIPTION



SPB Single Mechanical Seal

SPS Single Pusher Multi spring Mechanical Seal

DPS Double Mechanical Seal Cartridge Assembly

Single outside mounting Teflon bellow Mechanical Seal

Rotary face : Glass filled Teflon / Silicon Carbide / Carbon

Stationary face : Ceramic / Silicon Carbide

Single outside mounting Mechanical Seal

Rotary face : Silicon Carbide / Carbon

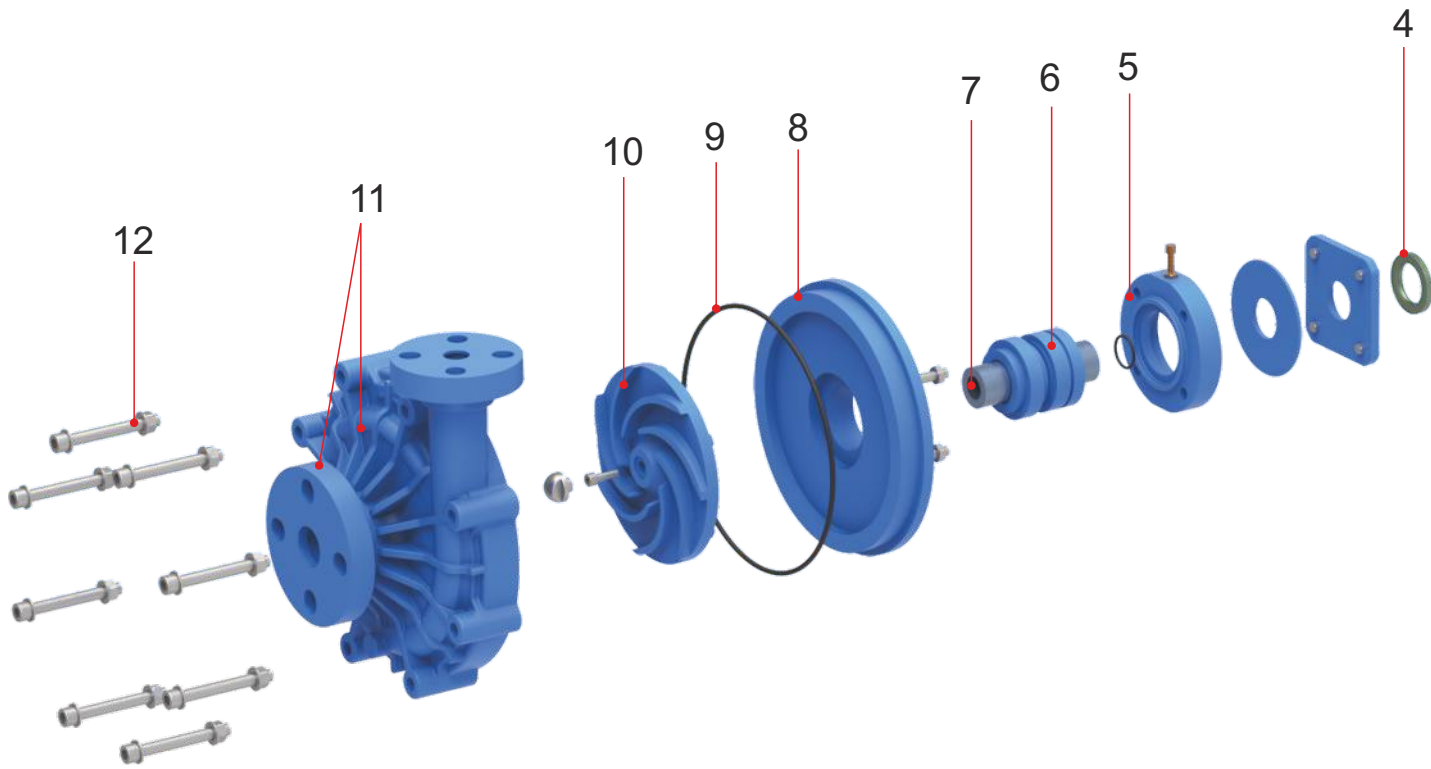
Stationary face : Ceramic / Silicon Carbide

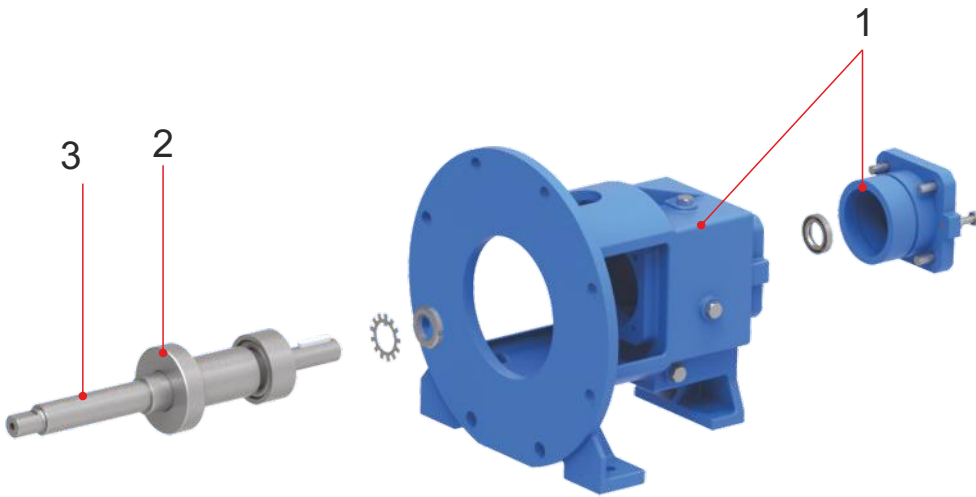
Balanced Double Mechanical Seal Cartridge Assembly

Rotary face : Silicon Carbide / Carbon

Stationary face : Silicon Carbide

MATERIAL OF CONSTRUCTION





Sr. No.	Component	Material
1	Drive end Bracket with Cover	Cast Iron
2	Ball Bearings	Steel
3	Pump Shaft	AISI 316
4	Oil Seals	Nitrile Rubber
5	Mechanical Seal lock plate	Stainless Steel / Polypropylene / Polyphenylene Oxide / PVDF
6	Mechanical shaft Seal face	Ceramic / Glass filled Teflon / Silicon Carbide / Carbon
7	Shaft Sleeve	Silicon Carbide / Ceramic
8	Volute Casing Cover	Polypropylene / Polyphenylene Oxide / PVDF
9	Rubber seal O-Rings	FKM / EPDM / PTFE
10	Open Impeller with insert	Polypropylene / Polyphenylene Oxide / PVDF
11	Pump Volute	Polypropylene / Polyphenylene Oxide / PVDF
12	Pump casing mounting bolt	AISI 304



TYPE KEY

Example LAC A S RP SPB TC F C

Pump type

Pump Size

A=40x25x125

B=40x25x160

C=50x32x125

D=50x32x160

E=65x50x160

F=65x50x200

Impeller Type

S - Open

Wetted Parts

RP - Polypropylene

RN - Polyphenylene Oxide

RV - PVDF

Mechanical Seal Face

SPB - Single Mechanical Seal

SPS - Single Pusher Multi spring
Mechanical Seal

DPS - Double Mechanical Seal

Seal Faces

TC - Glass filled Teflon Vs Ceramic

SC - Silicon Carbide Vs Ceramic

CC - Carbon Vs Ceramic

SS - Silicon Carbide Vs Silicon Carbide

O-rings

F - FKM

E - EPDM

T - PTFE

Shaft Sleeve

C - Ceramic

S - Silicon Carbide

TECHNICAL SPECIFICATION

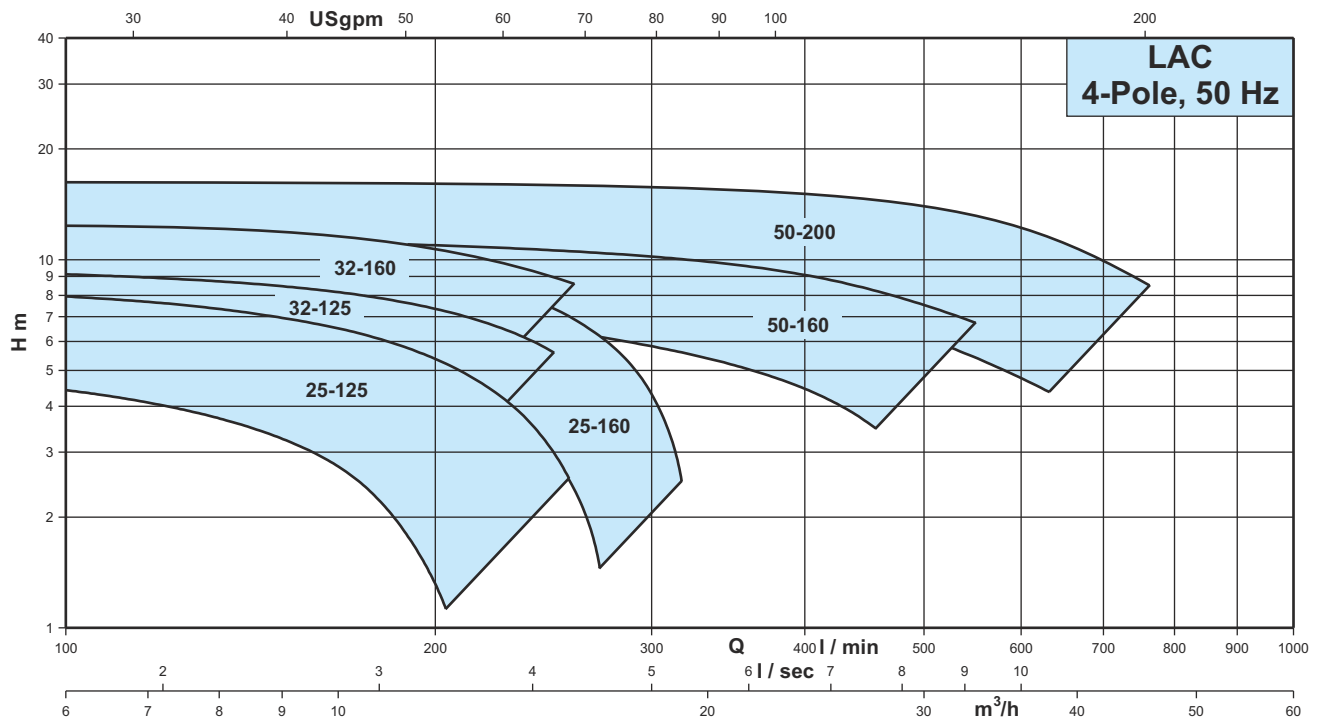
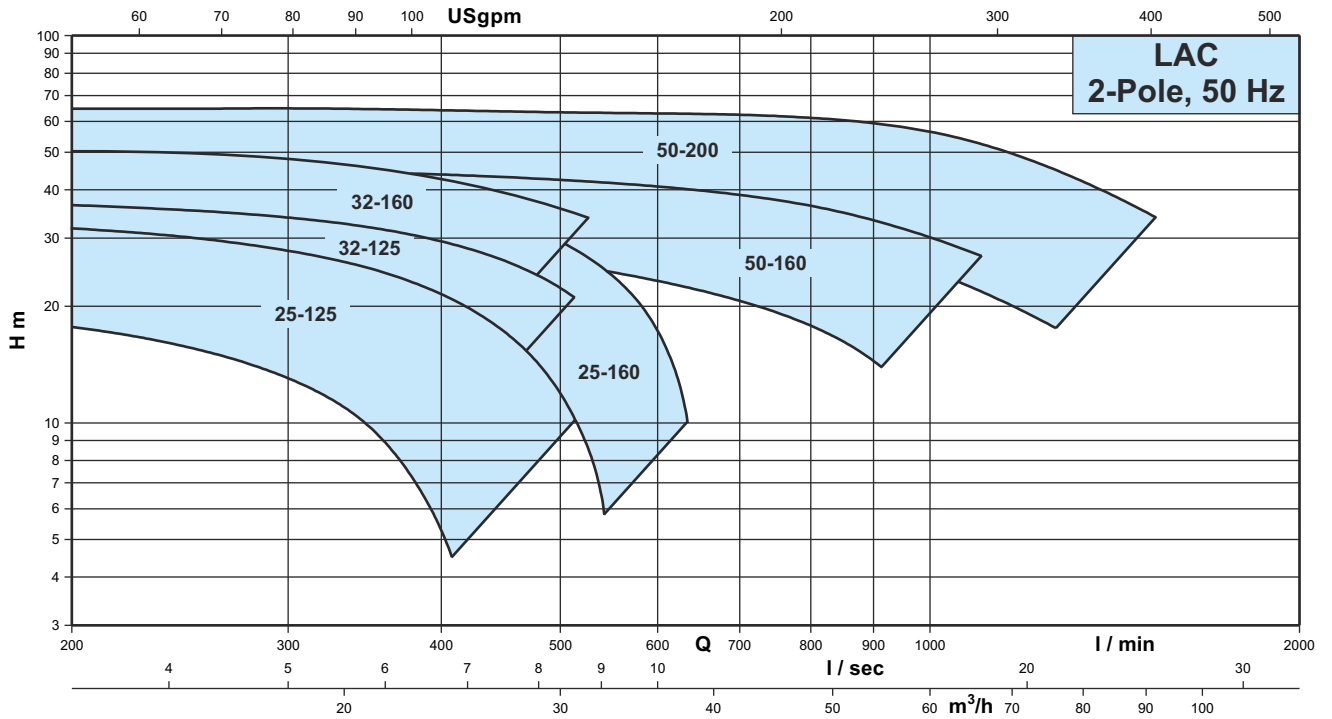
Operating Condition

Flow Range	up to 90 m3/hr
Head Range	up to 60 m
Viscosity	up to 145 CP
Max. Liquid temperature	Polypropylene: 80°C Polyphenylene Oxide : 85°C PVDF: 100°C
Specific Gravity	1.0 - 2.9
Operating Pressure	Max. 10.5 bar
Total Suction Lift	up to 7 mtr. with NRV

Motor

Motor Type	IE-2 / Flame proof TEFC Motor
Motor Rating	up to 22 kW (30 hp)
Supply Frequency	50 Hz
Motor Rated Speed	2900, 1450 rpm
Nominal Voltage	3 PH, 440 V
Duty / Rating	S1 / Continuous
Direction of Rotation	Clockwise as seen from coupling end
Bearing	Ball Bearing

PERFORMANCE CURVES



LUBI INDUSTRIES LLP

Near Kalyan Mills, Naroda Road, Ahmedabad-380 025, INDIA.

Phone : +91 - 79 - 61700100, Fax No. :+91 - 79 - 61700399.

Sales Enquiries: indsales@lubipumps.com, expsales@lubipumps.com

www.lubipumps.com

Product Improvement is a continuous process at 'LUBI'. The data given in this publication is therefore subject to revision.

01.00.161219.0131



ISO 9001



ISO 14001

Customer Care No : 09824200800