

LHMF/LFM SERIES

**Submerged centrifugal Fire pumpset
50 Hz**



Pumping Solution

Introduction

LHMF/LFM are horizontal, single-stage, submerged centrifugal Fire pumps.

LHMF/LFM have axial suction and radial discharge port

These pumps have the discharge range up to 256 m³/hr and head range up to 90 metres. Motor ratings are 11.0 to 75.0 kW for three phase power supply.

These pumps are fitted with stainless steel jacket rewindable water filled submersible motor.

These pumps are offered with a mechanical shaft seal to prevent ingress of pumped liquid inside the motor.

The motors are prefilled at factory with water mixture which is non toxic.

Standard flanges for suction & discharge ports will be PN 16 as per DIN standard EN 1092-2.

Applications

- Fire fighting

Features & benefits

Following are the main features and benefits offered by the monoset pumps.

- Compact design
- Designed for submerged condition water applications.
- No suction and priming problem.
- Easy and simple installation.
- Foundation is not required.
- Sturdy construction.
- Stainless steel motor body & stainless steel shaft.
- Fitted with mechanical shaft seal.
- Dynamically balanced impellers to grade 6.3 of ISO 1940.

Operating conditions

Flow range : Up to 256 m³/h

Head range : Up to 90 metres

Ambient temperature : Max. +50°C

Liquid temperature range: 0°C to +50°C

Motor

Type : Submersible rewindable motor

Ratings : 3 phase - 11.0 to 75.0 kW

Rated speed : 2900 rpm

Enclosure class : IP 68

Standard voltages : 3 phase, 380-415 V
(Tolerance +5% / -15%)

Supply frequency : 50 Hz

Duty / Rating : S1 / Continuous

Direction of rotation : Clockwise as seen from the motor rear end.

Pumped liquids

These pumps are generally suitable for fire fighting

Sectional drawing

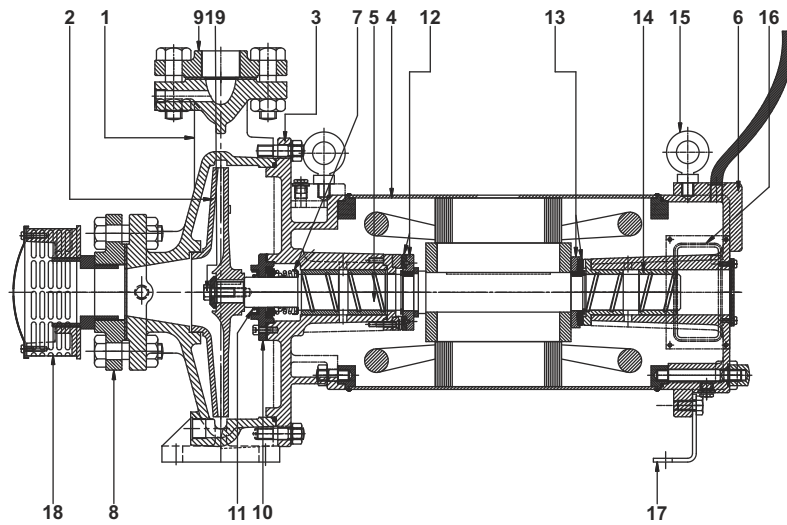


Fig. 2 LHMF
Horizontal pump

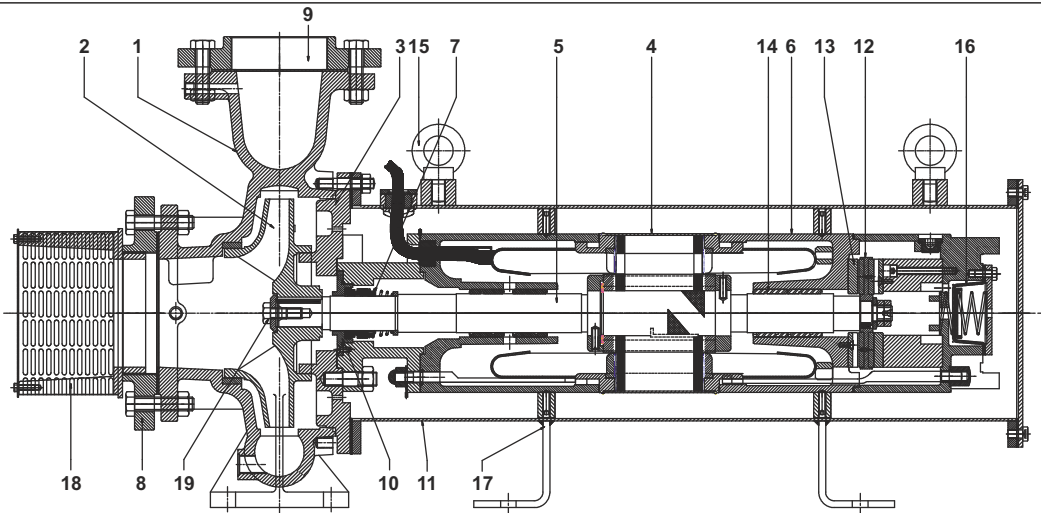
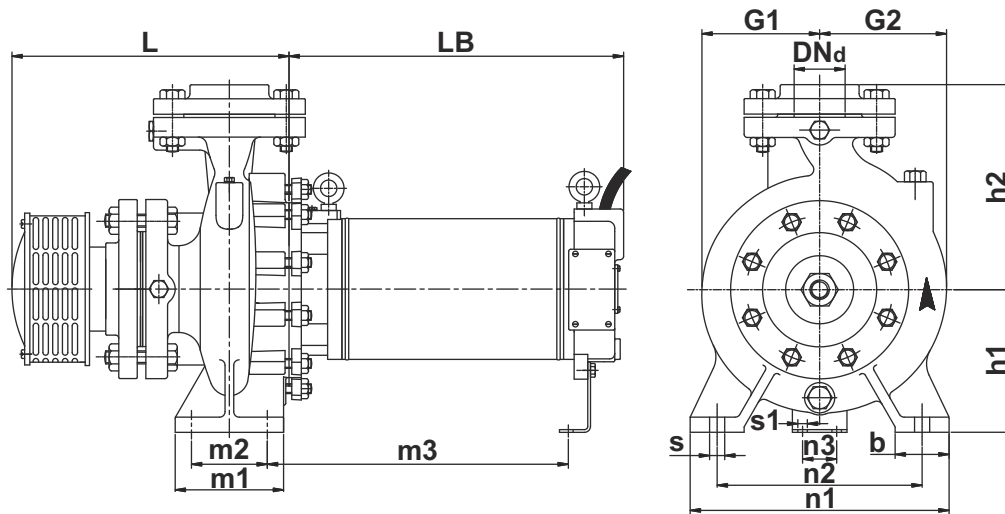


Fig. 3 LFM
Horizontal pump

Materials

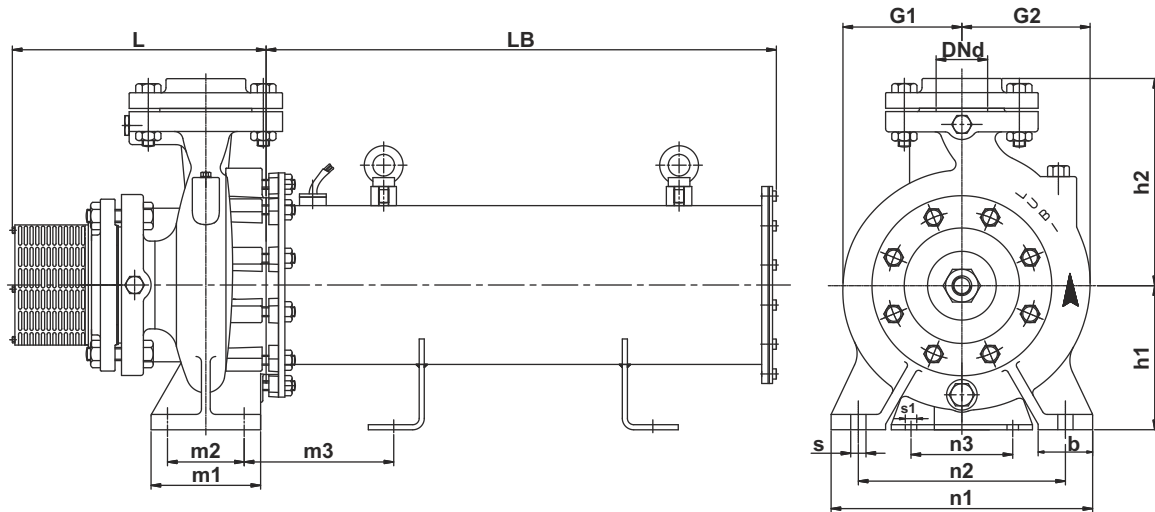
Pos.	Component	LHMF	LFM
1	Volute casing	Cast iron	Cast iron
2	Impeller	Cast iron / Bronze	Cast iron / Bronze
3	Adaptor	Cast iron	Cast iron
4	Stator body	S.S.202	S.S.202
5	Pump shaft	S.S.410	S.S.410
6	Lower bearing housing	Cast iron	Cast iron
7	Mechanical shaft seal	Carbon/ceramic	sic/sic
8	Suction flange	Cast iron	Cast iron
9	Delivery flange	Cast iron	Cast iron
10	Seal cover	Cast iron	Stainless steel
11	Jacket	NBR	M.S.
12	Front bearing	Carbon/S.S	Carbon/S.S
13	Rear bearing	Fibre/Bronze	S.S.410
14	Bush	Bronze	Carbon
15	Lifting bolt	Carbon steel	Carbon steel
16	Diaphragm	NBR	NBR
17	Foot	Carbon steel	M.S.
18	Strainer	Stainless steel	Stainless steel
19	Impeller nut	S.S.410	S.S.410

LHMF - HORIZONTAL PUMP



MODEL		LHMF32-2507E	LHMF50-2507F	LHMF65-2004A	LHMF65-2005A	LHMF65-2506A	LHMF65-2507A
Power	[kW]	11.0	18.5	15.0	18.5	18.5	22.0
	[hp]	15.0	25.0	20.0	25.0	25.0	30.0
DNd	[mm]	32	50	65	65	65	65
h1	[mm]	180	180	180	180	180	180
h2	[mm]	256	234	261	261	261	261
h3	[mm]	-	-	-	-	-	-
L	[mm]	279	281	302	302	302	302
LB	[mm]	606	646	626	646	646	666
G1	[mm]	150	161	150	150	150	150
G2	[mm]	154	175	173	173	173	173
m1	[mm]	125	125	125	125	125	125
m2	[mm]	95	95	95	95	95	95
m3	[mm]	484	524	499	519	519	539
n1	[mm]	320	320	320	320	320	320
n2	[mm]	250	250	250	250	250	250
n3	[mm]	65	65	65	65	65	65
b	[mm]	65	65	65	65	65	65
s	[mm]	14	14	14	14	14	14
s1	[mm]	14	14	14	14	14	14
ØA	[mm]	-	-	-	-	-	-
Net Weight	[kg]	132	152	151	159	150	156
Gross Weight	[kg]	177	202	196	209	200	206
Volume	[m ³]	0.370	0.450	0.370	0.450	0.450	0.450

LFM - HORIZONTAL PUMP



MODEL		LFM65-2508A	LFM65-250L6B	LFM65-250L7B	LFM65-250L8B	LFM65-250L9B	LFM65-250L6C	LFM65-250L7C	LFM65-250L8C	LFM80-2509C	LFM100-2506D	LFM100-2507D	LFM100-2508D	LFM80-2509D
Power	[kW]	26.0	30.0	37.0	45.0	45.0	37.0	45.0	55.0	55.0	45.0	55.0	55.0	75.0
	[hp]	35.0	40.0	50.0	60.0	60.0	50.0	60.0	75.0	75.0	60.0	75.0	75.0	100.0
DNd	[mm]	65	65	65	65	65	65	65	65	80	100	100	100	80
h1	[mm]	200	200	200	200	200	200	200	200	180	200	200	200	180
h2	[mm]	286	286	286	286	286	286	286	286	294	318	318	318	294
h3	[mm]	-	-	-	-	-	-	-	-	-	-	-	-	-
L	[mm]	313.5	313.5	313.5	313.5	313.5	313.5	313.5	313.5	367	360	360	360	367
LB	[mm]	1025	1065	1155	1255	1255	1155	1255	1305	1305	1255	1305	1305	1525
G1	[mm]	165	165	165	165	165	165	165	165	155	166	166	166	155
G2	[mm]	183	183	183	183	183	183	183	183	186	202	202	202	186
m1	[mm]	160	160	160	160	160	160	160	160	125	160	160	160	125
m2	[mm]	120	120	120	120	120	120	120	120	95	120	120	120	95
m3	[mm]	205	205	205	205	205	205	205	205	205	205	205	205	205
n1	[mm]	360	360	360	360	360	360	360	360	345	360	360	360	345
n2	[mm]	280	280	280	280	280	280	280	280	280	280	280	280	280
n3	[mm]	160	160	160	160	160	160	160	160	160	160	160	160	160
b	[mm]	80	80	80	80	80	80	80	80	65	80	80	80	65
s	[mm]	18	18	18	18	18	18	18	18	14	18	18	18	14
s1	[mm]	18	18	18	18	18	18	18	18	18	18	18	18	18
ØA	[mm]	-	-	-	-	-	-	-	-	-	-	-	-	-
Net Weight	[kg]	235	250	270	290	290	270	290	300	300	290	300	300	320
Gross Weight	[kg]	280	300	320	340	340	320	340	350	350	340	350	350	370
Volume	[m ³]	0.420	0.47	0.5	0.52	0.52	0.5	0.52	0.62	0.62	0.52	0.62	0.62	0.65

PERFORMANCE DATA

MODEL	Kw	HP	FLOW	HEAD
			Q (LPM)	H (Mtr)
LHMF 32-2507E	11.0	15.0	180	70
LHMF 50-2507F	18.5	25.0	700	75

MODEL	Kw	HP	FLOW	HEAD
			Q (LPM)	H (Mtr)
LHMF 65-2004A	15.0	20.0	960	40
LHMF 65-2005A	18.5	25.0	960	50
LHMF 65-2506A	18.5	25.0	960	60
LHMF 65-2507A	22.0	30.0	960	70

MODEL	Kw	HP	FLOW	HEAD
			Q (LPM)	H (Mtr)
LFM 65-2508A	26.0	35.0	960	80

MODEL	Kw	HP	FLOW	HEAD
			Q (LPM)	H (Mtr)
LFM 65-250L6B	30.0	40.0	1620	60
LFM 65-250L7B	37.0	50.0	1620	70
LFM 65-250L8B	45.0	60.0	1620	80
LFM 65-250L9B	45.0	60.0	1620	90

MODEL	Kw	HP	FLOW	HEAD
			Q (LPM)	H (Mtr)
LFM 65-250L6C	37.0	50.0	2280	60
LFM 65-250L7C	45.0	60.0	2280	70
LFM 65-250L8C	55.0	75.0	2280	80
LFM 80-2509C	55.0	75.0	2280	90

MODEL	Kw	HP	FLOW	HEAD
			Q (LPM)	H (Mtr)
LFM 100-2506D	45.0	60.0	2850	60
LFM 100-2507D	55.0	75.0	2850	70
LFM 100-2508D	55.0	75.0	2850	80
LFM 80-2509D	75.0	100.0	2850	90

LUBI INDUSTRIES LLP

Near Kalyan Mills, Naroda Road, Ahmedabad-380 025, INDIA.

Phone : +91 - 79 - 61700100, Fax No. :+91 - 79 - 61700399.

Sales Enquiries: indsales@lubipumps.com, expsales@lubipumps.com

www.lubipumps.com

Product Improvement is a continuous process at 'LUBI'. The data given in this publication is therefore subject to revision.

00.00.041018.0180



ISO 9001



ISO 14001

Customer Care Number : 09824200800