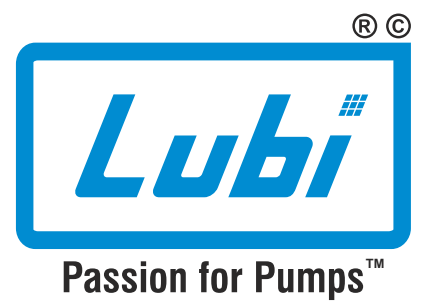


Immersible pumps  
50 Hz







Photographs of a few Manufacturing Units





# CERTIFICATE

The Certification Body  
of TÜV SÜD South Asia Private Limited

certifies that



**LUBI INDUSTRIES LLP [LUBI GROUP]**

Near Kalyan Mill, Naroda Road,  
Ahmedabad - 380 025, Gujarat, INDIA

including the sites and scope of application see enclosure

has implemented an Environmental Management System  
in accordance with **ISO 14001:2015**

For Scope of

**DESIGN, MARKETING AND SERVICING OF  
ELECTRICAL MOTORS, MONOBLOCK PUMPS,  
MONOSET PUMPS, SUBMERSIBLE PUMP SETS,  
SUBMERSIBLES DRAINAGE & SUBMERSIBLES SEWAGE PUMPS,  
SELF PRIMING DEWATERING PUMPS (MUD PUMPS), BACK PULLOUT  
CENTRIFUGAL PUMPS, MONOBLOCKS, HORIZONTAL SPLIT CASING  
CENTRIFUGAL PUMP SETS, BALL VALVES, BUTTERFLY VALVE, DUAL  
PLATE CHECK VALVE, Y STRAINERS, SUBMERSIBLE PUMP SETS,  
HORIZONTAL AND VERTICAL MULTISTAGE CENTRIFUGAL PUMP SETS AND  
VERTICAL MONOSETS**

The certificate is valid From **2020-04-04** until **2023-04-03**

Subject to successful completion of annual periodic audits

The present status of this Certificate can be obtained on [www.tuv-sud.in](http://www.tuv-sud.in)

Further clarifications regarding the scope of this certificate may be obtained by consulting the certification body

Certificate Registration No. **99 104 00426**

Date of Initial certification : **2017-04-04**

Certification Body  
of TÜV SÜD South Asia Private Limited, **Mumbai**  
Member of TÜV SÜD Group



# Contents

## Immersible pumps

### Product Data

Introduction	4
Applications	4
Product range	4
Construction	
LIR 1s, 1, 3 and 5	5
Immersion depths, LIR,	6
Pumped liquids	6
Motor data	
Standard motors for LIR - 50 Hz	7

### Performance curves/technical data

LIR 1s	8
LIR 1	10
LIR 3	12
LIR 5	14

## Product Data

### Introduction

The LIR range of pumps are vertical multistage centrifugal pump designed and developed for pumping of coolant lubricants in various types of machine tools.

These pumps are designed to be mounted on coolant lubricant tanks so that the pump end is immersed in the coolant lubricant.

The pump unit hydraulic components are made of stainless steel AISI304. The motors are TEFC induction motors designed to IEC standards. Motors are IE2 efficiency rated.

### Applications

The LIR immersible pumps can be used for the following applications.

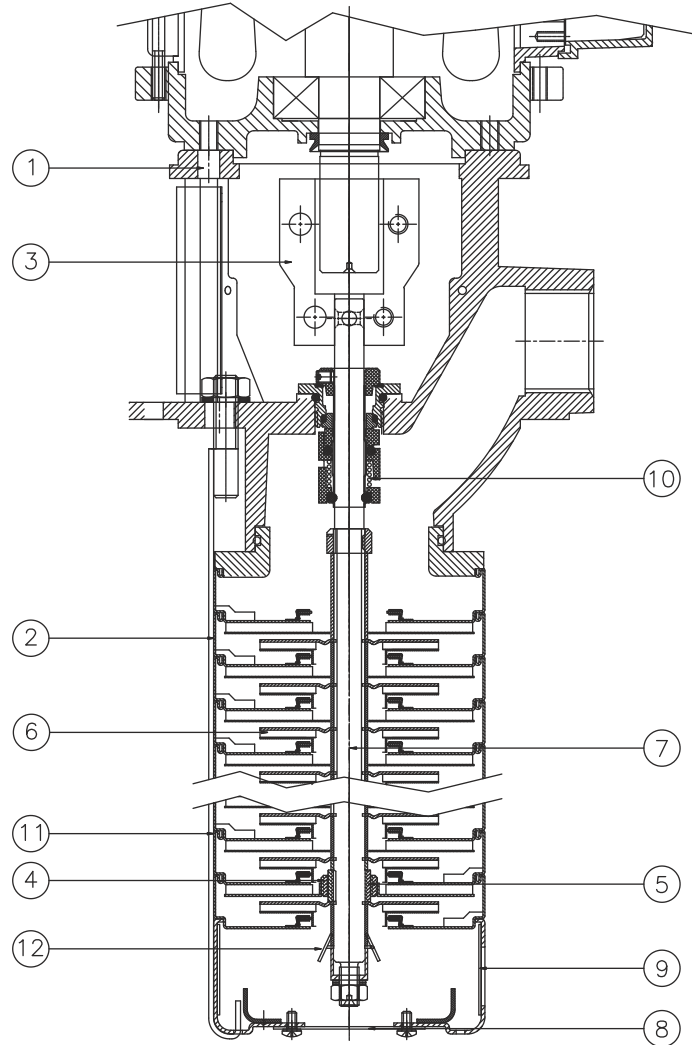
Milling  
Grinding  
Spark erosion  
Wire cutting  
Turning  
Chilling  
Part washing  
Condensate systems  
Washing & Cleaning

### Product range

Range	LIR 1s	LIR 1	LIR 3	LIR 5
Nominal flow rate [m <sup>3</sup> /h]	0.8	1	3	5
Temperature range [°C]	-10 to + 90°C	-10 to + 90°C	-10 to + 90°C	-10 to + 90°C
Flow range [m <sup>3</sup> /h]	0.3-1.1	0.7-2.4	1.2-4.5	2.5-8.5
Max. pressure [bar]	21	22	24	24
Motor power [kW]	0.37-1.1	0.37-2.2	0.37-3	0.37-5.5
<b>Pipe connection</b>				
Internal Thread	Rp 1-1/4"	Rp 1-1/4"	Rp 1-1/4"	Rp 1-1/4"
<b>Mechanical shaft sea</b>				
Cartridge type shaft seal	Sic/Sic/	Sic/Sic/	Sic/Sic/	Sic/Sic/
Cartridge type shaft seal material	316/Viton	316/Viton	316/Viton	316/Viton

## Construction

LIR 1s, 1, 3 and 5 Sectional drawing



**Fig. 1** LIR pumps

**Materials: LIR**

Nos.	Designation	Materials	EN/DIN	AISI/ASTM
1	Pump Head	Cast Iron	EN-GJL 200	ASTM 25B
2	Chamber	Stainless Steel	1.4301	AISI 304
3	Coupling	Cast Iron	EN-GJL 200	ASTM 25B
4	Bearing ring, stationary	Silicon carbide	-	-
5	Bearing ring, rotating	Silicon carbide	-	-
6	Impeller	Stainless Steel	1.4301	AISI 304
7	Pump Shaft	Stainless Steel	1.4401	AISI 316
8	Suction strainer	Stainless Steel	1.4301	AISI 304
9	Strainer internal	Stainless Steel	1.4301	AISI 304
10	Shaft seal	Sic / Sic / 316 / Viton	-	-
11	Strap	Stainless Steel	1.4301	AISI 304
12	Priming screw	Stainless Steel	1.4301	AISI 304

# Product data

# LIR

## Immersible pumps

### Immersion depths, LIR,

To meet specific depths of tanks and containers, the immersion depth of the pump can be varied using empty chambers.

For the LIR range the following immersion depths are available.

The number of impellers depends on the requested head, and can be found on the technical data pages for each product type.

Number of chambers	Immersion depth [mm]			
	LIR 1s	LIR 1	LIR 3	LIR 5
1	-	-	-	-
2	160	160	160	169
3	178	178	178	196
4	196	196	196	223
5	214	214	214	250
6	232	232	232	277
7	250	250	250	304
8	268	268	268	331
9	286	286	286	358
10	304	304	304	385
11	322	322	322	412
12	340	340	340	439
13	358	358	358	466
14	376	376	376	493
15	394	394	394	520
16	412	412	412	547
17	430	430	430	574
18	448	448	448	601
19	466	466	466	628
20	484	484	484	655
21	502	502	502	682
22	520	520	520	709
23	538	538	538	736
24	556	556	556	763
25	574	574	574	790
26	592	592	592	817
27	610	610	610	844
28	628	628	628	871
29	646	646	646	898
30	664	664	664	925
31	682	682	682	952
32	700	700	700	979
33	718	718	718	1006
34	736	736	736	-
35	754	754	754	-
36	772	772	772	-
37	790	790	790	-
38	808	808	808	-
39	826	826	826	-
40	844	844	844	-
41	862	862	862	-
42	880	880	880	-
43	898	898	898	-
44	916	916	916	-
45	934	934	934	-
46	952	952	952	-
47	970	970	970	-
48	988	988	988	-
49	1006	1006	1006	-

### Pumped liquids

The LIR pumps can only be used for pumping non explosive liquids which are chemically compatible with the pumps material of constructions.

The LIR pumps cannot handle large solid particles. The suction strainer is designed to prevent large solid particles which can enter and damage the pump. Kindly refer the maximum solid size for each pump type that can be handled.

### Pumping of solid particles.

Pump	Strainer Passage (mm)	Impeller Passage (mm)
LIR 1s	Ø2	2.5
LIR 1	Ø2	2.5
LIR 3	Ø2	3.1
LIR 5	Ø4	5.5

For Grinding applications it is mandatory that the pumped liquid is screened to remove abrasive particles and ensure that they do not enter and damage the pump components.

# Motor Data

LIR

Immersible pumps

## Standard motor for LIR 50 Hz

Type	Motor H.P	Motor kW	Phase	Frame size	Standard voltage [V]	$I_{1/1}$ [A]	$\cos \varnothing_{1/1}$	$\eta$ [%]	$I_{start}$
MCR500058231	0.50	0.37	3	71	220-240 $\Delta$ /(380-415Y*)	1.46/0.85	0.87	70.0	7.3/4.3
MCR500078231	0.75	0.55	3	71	220-240 $\Delta$ /(380-415Y*)	2.2/1.5	0.91	70.0	11/7.5
MCR500108231	1.00	0.75	3	80	220-240 $\Delta$ /(380-415Y*)	2.6/1.6	0.90	77.0	15.6/9.6
MCR500158231	1.50	1.10	3	80	220-240 $\Delta$ /(380-415Y*)	3.9/2.3	0.90	76.2	23.4/13.8
MCR500208231	2.00	1.50	3	90	220-240 $\Delta$ /(380-415Y*)	5.1/3.0	0.91	78.5	30.6/18
MCR500308231	3.00	2.20	3	90	220-240 $\Delta$ /(380-415Y*)	7.6/4.5	0.89	81.0	45.6/27
MCR500408231	4.00	3.00	3	100	220-240 $\Delta$ /(380-415Y*)	9.9/5.8	0.88	83.0	59.4/34.8
MCR500558231	5.50	4.00	3	112	220-240 $\Delta$ /(380-415Y*)	13.9/8.1	0.82	84.0	83.4/48.6
MCR500754231	7.50	5.50	3	132	380-415 $\Delta$ *	11.2/10.6	0.91	85.7	67.2/63.6

- (\*) Standard voltage

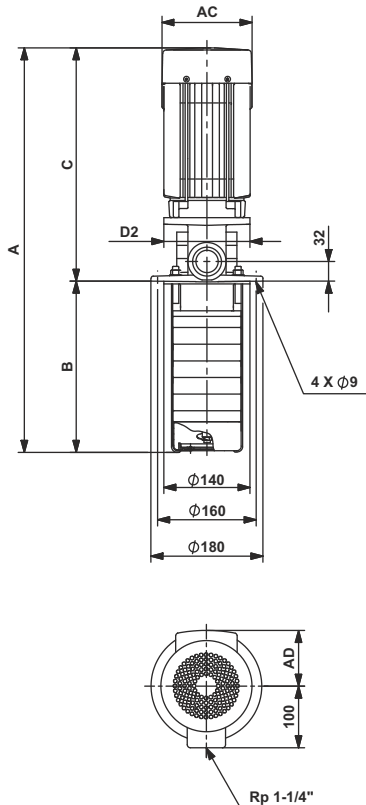
- Special voltages available on request.

# Technical Data

Vertical multistage centrifugal pumps

## LIR 1s

Performance Chart



Pump Type	H.P.	kW	Q	n = 2900 rpm						
				l/min	8.3	10.0	11.7	13.3	15.0	16.7
				m <sup>3</sup> /h	0.5	0.6	0.7	0.8	0.9	1.0
LIR 1s/2	0.50	0.37	H mts.	12	12	10	10	9	8	
LIR 1s/3	0.50	0.37		17	16	15	14	13	12	
LIR 1s/4	0.50	0.37		22	21	19	18	17	15	
LIR 1s/5	0.50	0.37		27	26	25	23	21	19	
LIR 1s/6	0.50	0.37		33	31	29	27	25	22	
LIR 1s/7	0.50	0.37		38	36	34	31	29	26	
LIR 1s/8	0.50	0.37		43	40	38	35	32	29	
LIR 1s/9	0.50	0.37		48	46	42	40	36	33	
LIR 1s/10	0.50	0.37		53	50	47	44	40	36	
LIR 1s/11	0.50	0.37		58	56	52	48	44	39	
LIR 1s/12	0.50	0.37		63	59	56	52	47	42	
LIR 1s/13	0.50	0.37		68	64	60	56	51	46	
LIR 1s/15	0.75	0.55		79	74	70	65	59	53	
LIR 1s/17	0.75	0.55		88	83	78	72	66	59	
LIR 1s/19	0.75	0.55		98	93	87	81	74	66	
LIR 1s/21	1.02	0.75		110	104	98	91	83	75	
LIR 1s/23	1.02	0.75		120	114	106	99	90	82	
LIR 1s/25	1.02	0.75		130	122	115	106	97	87	
LIR 1s/27	1.49	1.10		142	134	126	117	106	96	
LIR 1s/30	1.49	1.10		157	149	140	130	118	106	
LIR 1s/33	1.49	1.10		172	163	153	142	129	116	
LIR 1s/36	1.49	1.10		187	176	165	153	140	125	

Dimensions & Weights of LIR Pump

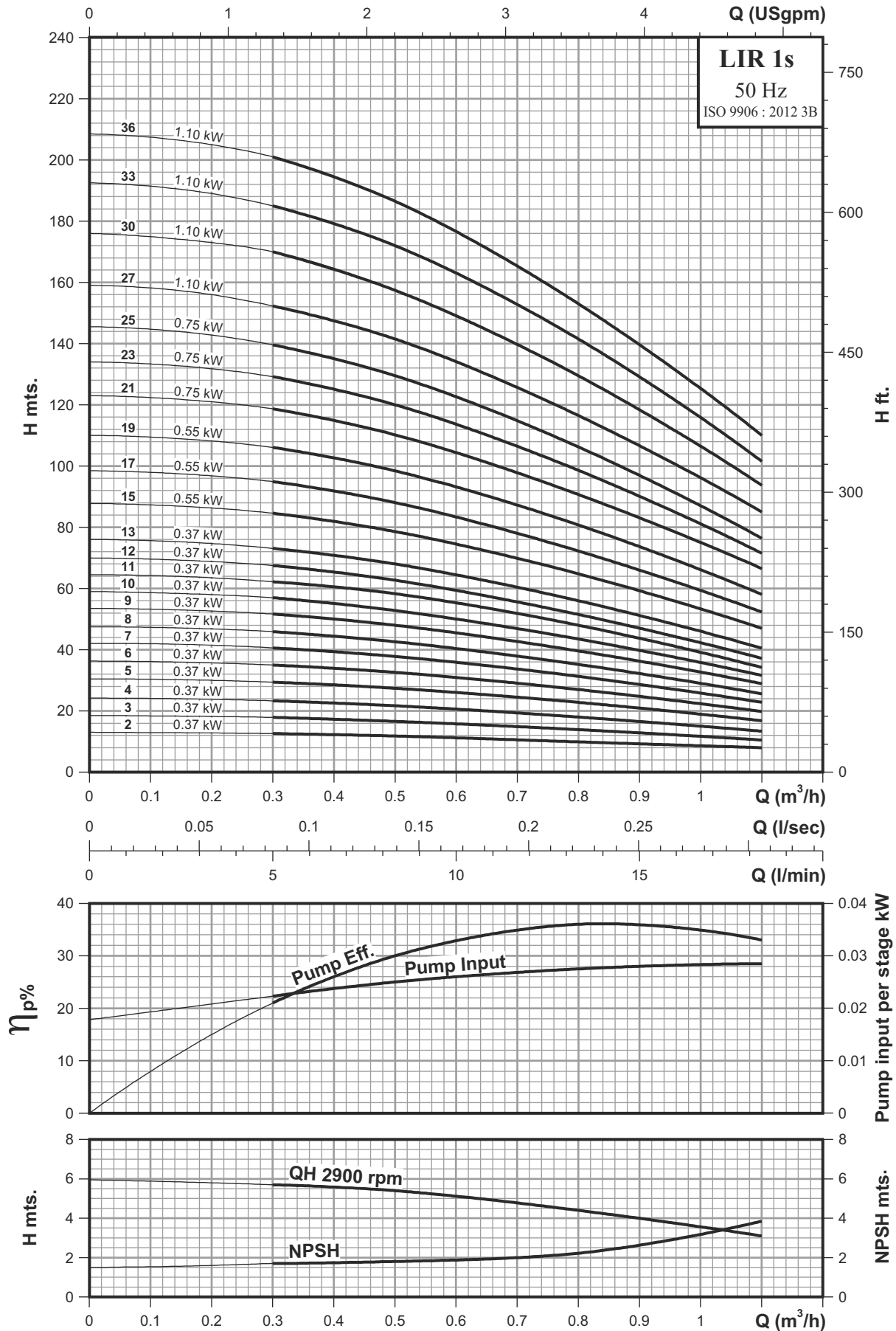
Pump type	KW	HP	FRAME	A	B	C	AC	D2	AD	Net weight [kg]
LIR 1s/2	0.37	0.50	71	462	164	308.5	145	142	109	24.0
LIR 1s/3	0.37	0.50	71	480	182	308.5	145	142	109	24.0
LIR 1s/4	0.37	0.50	71	498	200	308.5	145	142	109	24.0
LIR 1s/5	0.37	0.50	71	516	218	308.5	145	142	109	25.0
LIR 1s/6	0.37	0.50	71	534	236	308.5	145	142	109	25.0
LIR 1s/7	0.37	0.50	71	552	254	308.5	145	142	109	25.0
LIR 1s/8	0.37	0.50	71	570	272	308.5	145	142	109	26.0
LIR 1s/9	0.37	0.50	71	588	290	308.5	145	142	109	26.0
LIR 1s/10	0.37	0.50	71	606	308	308.5	145	142	109	27.0
LIR 1s/11	0.37	0.50	71	624	326	308.5	145	142	109	27.0
LIR 1s/12	0.37	0.50	71	642	344	308.5	145	142	109	27.0
LIR 1s/13	0.37	0.50	71	660	362	308.5	145	142	109	28.0
LIR 1s/15	0.55	0.75	71	696	398	308.5	145	142	109	29.0
LIR 1s/17	0.55	0.75	71	732	434	308.5	145	142	109	30.0
LIR 1s/19	0.55	0.75	71	768	470	308.5	145	142	109	31.0
LIR 1s/21	0.75	1.02	80	864.5	506	359	160	142	113	33.0
LIR 1s/23	0.75	1.02	80	900.5	542	359	160	142	113	34.0
LIR 1s/25	0.75	1.02	80	936.5	578	359	160	142	113	35.0
LIR 1s/27	1.10	1.49	80	972.5	614	359	160	142	113	38.0
LIR 1s/30	1.10	1.49	80	1026.5	668	359	160	142	113	39.0
LIR 1s/33	1.10	1.49	80	1080.5	722	359	160	142	113	40.0
LIR 1s/36	1.10	1.49	80	1134.5	776	359	160	142	113	42.0



# Performance Curves

Vertical multistage centrifugal pumps

LIR 1s

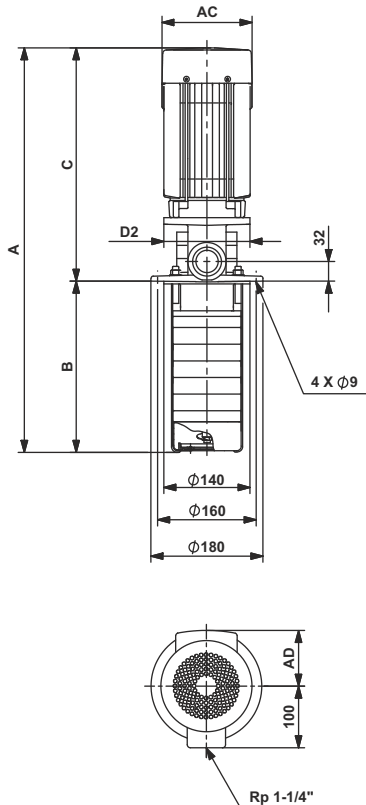


# Technical Data

Vertical multistage centrifugal pumps

# LIR 1

Performance Chart



Pump Type	H.P.	kW	Q	n = 2900 rpm						
				l/min	16.7	23.3	26.7	30.0	33.3	36.7
				m <sup>3</sup> /h	1.0	1.4	1.6	1.8	2.0	2.2
LIR 1/2	0.50	0.37	H mts.	12	11	11	10	9	9	
LIR 1/3	0.50	0.37		18	17	16	15	13	12	
LIR 1/4	0.50	0.37		24	22	21	19	17	15	
LIR 1/5	0.50	0.37		30	27	26	24	22	19	
LIR 1/6	0.50	0.37		35	33	31	29	26	23	
LIR 1/7	0.50	0.37		41	38	36	33	30	26	
LIR 1/8	0.75	0.55		47	44	41	38	34	30	
LIR 1/9	0.75	0.55		53	49	46	43	38	34	
LIR 1/10	0.75	0.55		58	54	50	47	42	36	
LIR 1/11	0.75	0.55		63	59	55	51	46	40	
LIR 1/12	1.02	0.75		69	64	60	56	50	44	
LIR 1/13	1.02	0.75		75	70	65	60	54	47	
LIR 1/15	1.02	0.75		86	80	75	70	62	54	
LIR 1/17	1.49	1.10		99	91	86	80	71	62	
LIR 1/19	1.49	1.10		111	102	95	89	79	69	
LIR 1/21	1.49	1.10		120	111	104	97	86	75	
LIR 1/23	1.49	1.10		131	120	112	104	92	80	
LIR 1/25	2.04	1.50		147	136	128	119	106	93	
LIR 1/27	2.04	1.50		159	148	138	129	115	101	
LIR 1/30	2.04	1.50		175	163	152	142	127	111	
LIR 1/33	2.99	2.20	194	180	169	157	141	124		
LIR 1/36	2.99	2.20	212	197	185	173	155	136		

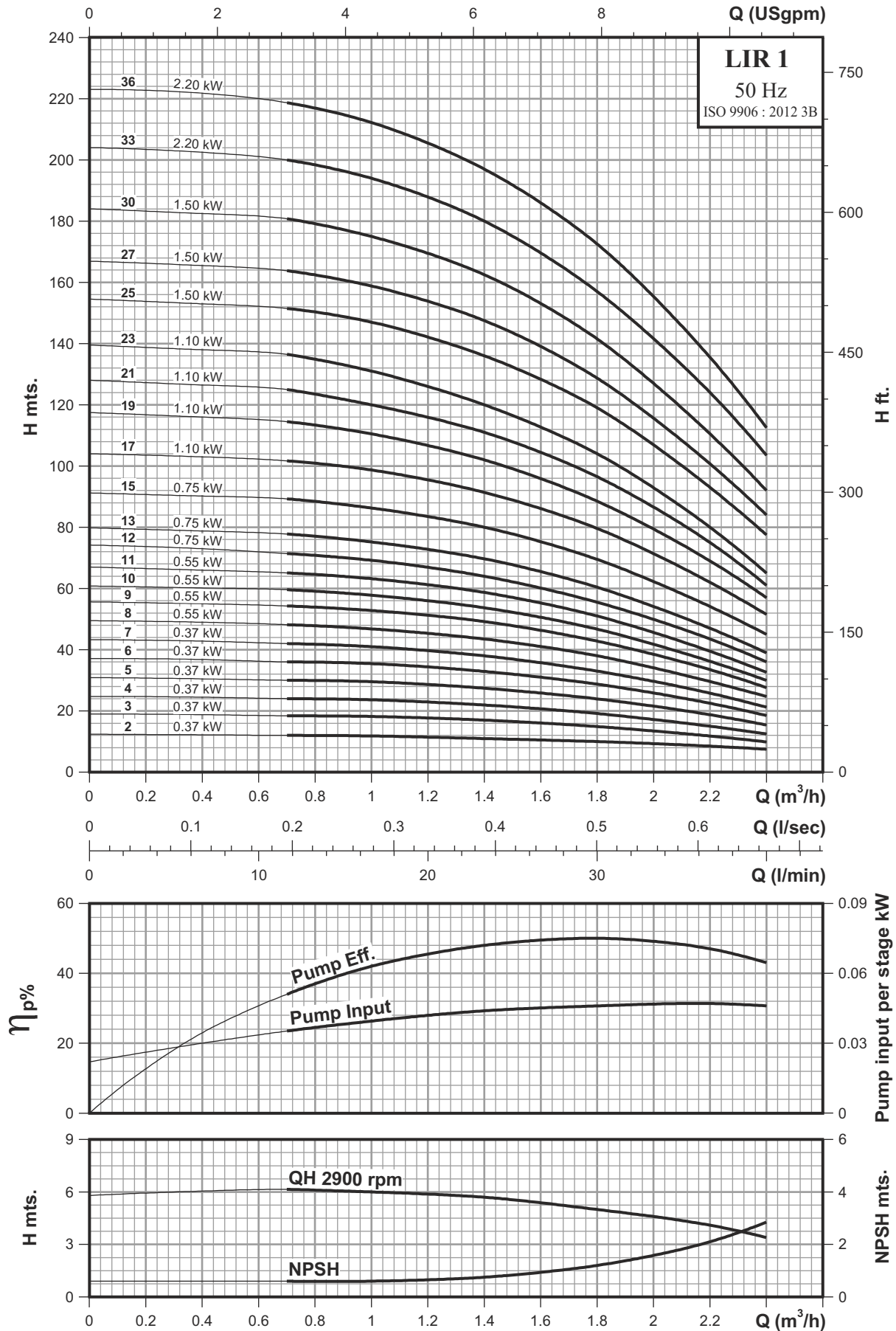
Dimensions & Weights of LIR Pump

Pump type	KW	HP	FRAME	A	B	C	AC	D2	AD	Net weight [kg]
LIR 1-2/2	0.37	0.50	71	462	164	308.5	145	142	109	24.0
LIR 1-3/3	0.37	0.50	71	480	182	308.5	145	142	109	24.0
LIR 1-4/4	0.37	0.50	71	498	200	308.5	145	142	109	24.0
LIR 1-5/5	0.37	0.50	71	516	218	308.5	145	142	109	25.0
LIR 1-6/6	0.37	0.50	71	534	236	308.5	145	142	109	25.0
LIR 1-7/7	0.37	0.50	71	552	254	308.5	145	142	109	26.0
LIR 1-8/8	0.55	0.75	71	570	272	308.5	145	142	109	27.0
LIR 1-9/9	0.55	0.75	71	588	290	308.5	145	142	109	27.0
LIR 1-10/10	0.55	0.75	71	606	308	308.5	145	142	109	27.0
LIR 1-11/11	0.55	0.75	71	624	326	308.5	145	142	109	28.0
LIR 1-12/12	0.75	1.02	80	702.5	344	359	160	142	113	30.0
LIR 1-13/13	0.75	1.02	80	720.5	362	359	160	142	113	30.0
LIR 1-15/15	0.75	1.02	80	756.5	398	359	160	142	113	31.0
LIR 1-17/17	1.10	1.49	80	792.5	434	359	160	142	113	34.0
LIR 1-19/19	1.10	1.49	80	828.5	470	359	160	142	113	35.0
LIR 1-21/21	1.10	1.49	80	864.5	506	359	160	142	113	36.0
LIR 1-23/23	1.10	1.49	80	900.5	542	359	160	142	113	37.0
LIR 1-25/25	1.50	2.04	90	965	578	387	174	147	124	45.0
LIR 1-27/27	1.50	2.04	90	1001	614	387	174	147	124	45.0
LIR 1-30/30	1.50	2.04	90	1055	668	387	174	147	124	47.0
LIR 1-33/33	2.20	2.99	90	1109	722	387	174	147	124	48.0
LIR 1-36/36	2.20	2.99	90	1163	776	387	174	147	124	50.0

# Performance Curves

Vertical multistage centrifugal pumps

## LIR 1



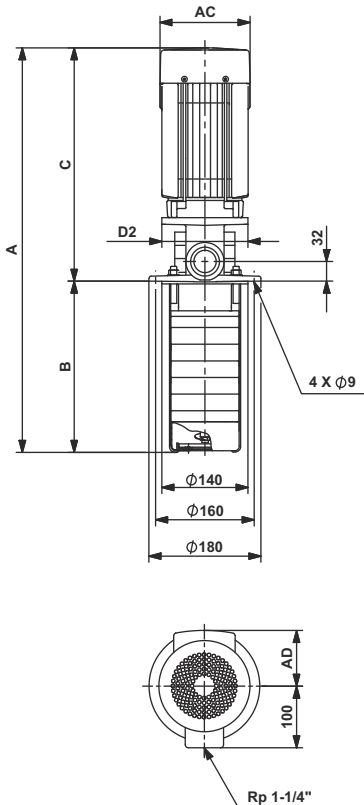


# Technical Data

Vertical multistage centrifugal pumps

# LIR 3

Performance Chart



Pump Type	H.P.	kW	Q l/min m <sup>3</sup> /h	n = 2900 rpm					
				33.3	40.0	46.7	50.0	53.3	60.0
				2.0	2.4	2.8	3.0	3.2	3.6
LIR 3/2	0.5	0.37	H mts.	12	11	10	10	9	8
LIR 3/3	0.5	0.37		18	17	15	15	14	12
LIR 3/4	0.5	0.37		23	22	21	19	18	16
LIR 3/5	0.5	0.37		29	28	26	24	23	21
LIR 3/6	0.7	0.55		35	33	30	29	27	24
LIR 3/7	0.7	0.55		41	38	36	34	33	29
LIR 3/8	1.0	0.75		47	44	41	39	38	33
LIR 3/9	1.0	0.75		52	50	46	44	41	36
LIR 3/10	1.0	0.75		58	55	51	49	46	40
LIR 3/11	1.0	0.75		64	60	56	53	51	45
LIR 3/12	1.5	1.10		69	66	61	58	55	48
LIR 3/13	1.5	1.10		75	71	66	63	60	53
LIR 3/15	1.5	1.10		86	80	75	71	68	60
LIR 3/17	2.0	1.50		100	94	87	83	79	70
LIR 3/19	2.0	1.50		110	104	97	91	88	77
LIR 3/21	3.0	2.20		123	116	108	102	98	86
LIR 3/23	3.0	2.20		135	127	118	112	107	95
LIR 3/25	3.0	2.20		146	138	128	121	116	102
LIR 3/27	3.0	2.20		157	148	138	130	124	110
LIR 3/33	4.1	3.00		193	182	170	161	154	136
LIR 3/36	4.1	3.00	211	199	185	176	168	148	

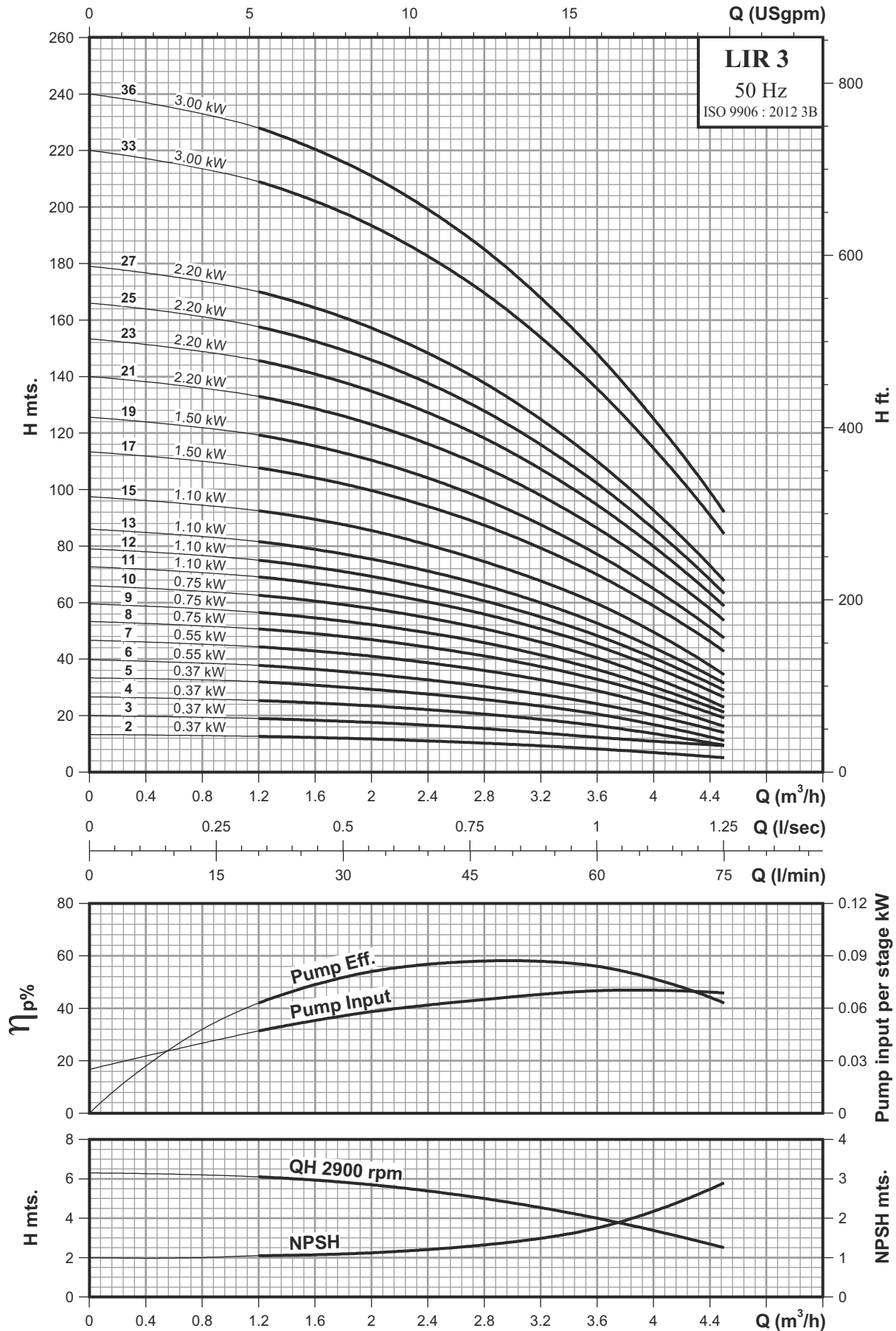
Dimensions & Weights of LIR Pump

Pump type	KW	HP	FRAME	A	B	C	AC	D2	AD	Net weight [kg]
LIR 3-2/2	0.37	0.5	71	462	164	308.5	145	142	109	24.0
LIR 3-3/3	0.37	0.5	71	480	182	308.5	145	142	109	24.0
LIR 3-4/4	0.37	0.5	71	498	200	308.5	145	142	109	24.0
LIR 3-5/5	0.37	0.5	71	516	218	308.5	145	142	109	25.0
LIR 3-6/6	0.55	0.7	71	534	236	308.5	145	142	109	26.0
LIR 3-7/7	0.55	0.7	71	552	254	308.5	145	142	109	26.0
LIR 3-8/8	0.75	1.0	80	630.5	272	359	160	142	113	28.0
LIR 3-9/9	0.75	1.0	80	648.5	290	359	160	142	113	29.0
LIR 3-10/10	0.75	1.0	80	666.5	308	359	160	142	113	29.0
LIR 3-11/11	0.75	1.0	80	684.5	326	359	160	142	113	32.0
LIR 3-12/12	1.10	1.5	80	702.5	344	359	160	142	113	32.0
LIR 3-13/13	1.10	1.5	80	720.5	362	359	160	142	113	32.0
LIR 3-15/15	1.10	1.5	80	756.5	398	359	160	142	113	33.0
LIR 3-17/17	1.50	2.0	90	821	434	387	174	147	124	41.0
LIR 3-19/19	1.50	2.0	90	857	470	387	174	147	124	42.0
LIR 3-21/21	2.20	3.0	90	893	506	387	174	147	124	43.0
LIR 3-23/23	2.20	3.0	90	929	542	387	174	147	124	44.0
LIR 3-25/25	2.20	3.0	90	965	578	387	174	147	124	45.0
LIR 3-27/27	2.20	3.0	90	1001	614	387	174	147	124	46.0
LIR 3-33/33	3.00	4.1	100	1148	722	426	193.5	250	141	52.0
LIR 3-36/36	3.00	4.1	100	1202	776	426	193.5	250	141	54.0

# Performance Curves

Vertical multistage centrifugal pumps

## LIR 3

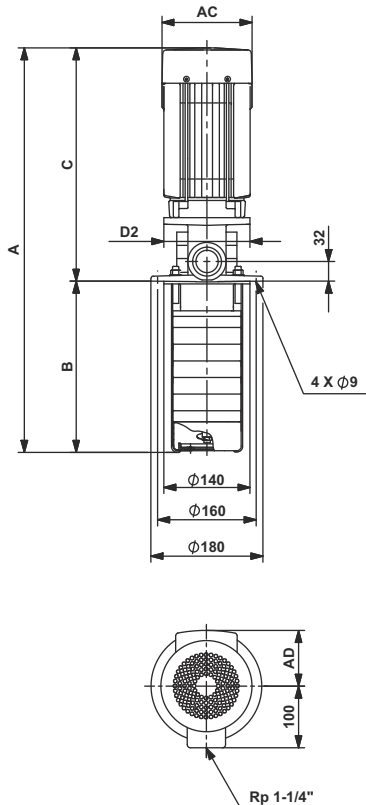


# Technical Data

Vertical multistage centrifugal pumps

## LIR 5

Performance Chart



Pump Type	H.P.	kW	Q	n = 2900 rpm					
				I/min	41.7	66.7	83.3	100.0	116.7
				m <sup>3</sup> /h	2.5	4.0	5.0	6.0	7.0
LIR 5/2	0.5	0.37	H mts.	13	12	11	10	8	
LIR 5/3	0.7	0.55		19	18	16	15	12	
LIR 5/4	0.7	0.55		25	24	22	20	16	
LIR 5/5	1.0	0.75		32	29	28	25	20	
LIR 5/6	1.5	1.10		38	35	33	30	25	
LIR 5/7	1.5	1.10		45	42	39	35	29	
LIR 5/8	1.5	1.10		52	48	44	40	34	
LIR 5/9	2.0	1.50		59	54	50	46	39	
LIR 5/10	2.0	1.50		65	60	56	51	44	
LIR 5/12	3.0	2.20		78	72	67	61	52	
LIR 5/14	3.0	2.20		92	85	79	71	62	
LIR 5/16	3.0	2.20		104	97	90	81	70	
LIR 5/18	4.1	3.00		118	110	102	93	80	
LIR 5/20	4.1	3.00		132	122	113	103	89	
LIR 5/22	5.4	4.00		145	134	124	113	99	
LIR 5/24	5.4	4.00		157	145	135	122	106	
LIR 5/26	5.4	4.00		171	159	146	132	114	
LIR 5/29	5.4	4.00		191	177	164	149	130	
LIR 5/32	7.5	5.50		211	195	181	165	144	

Dimensions & Weights of LIR Pump

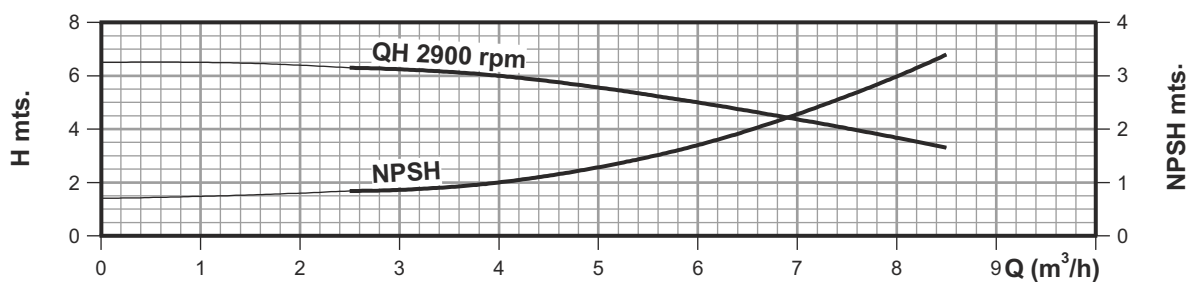
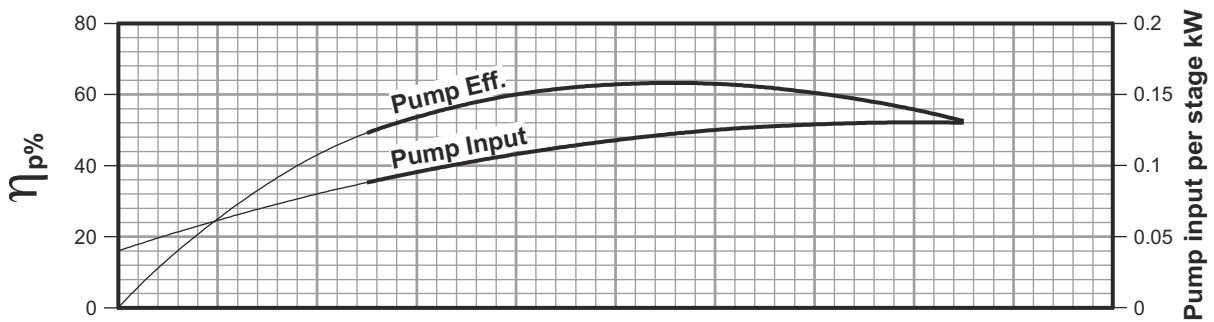
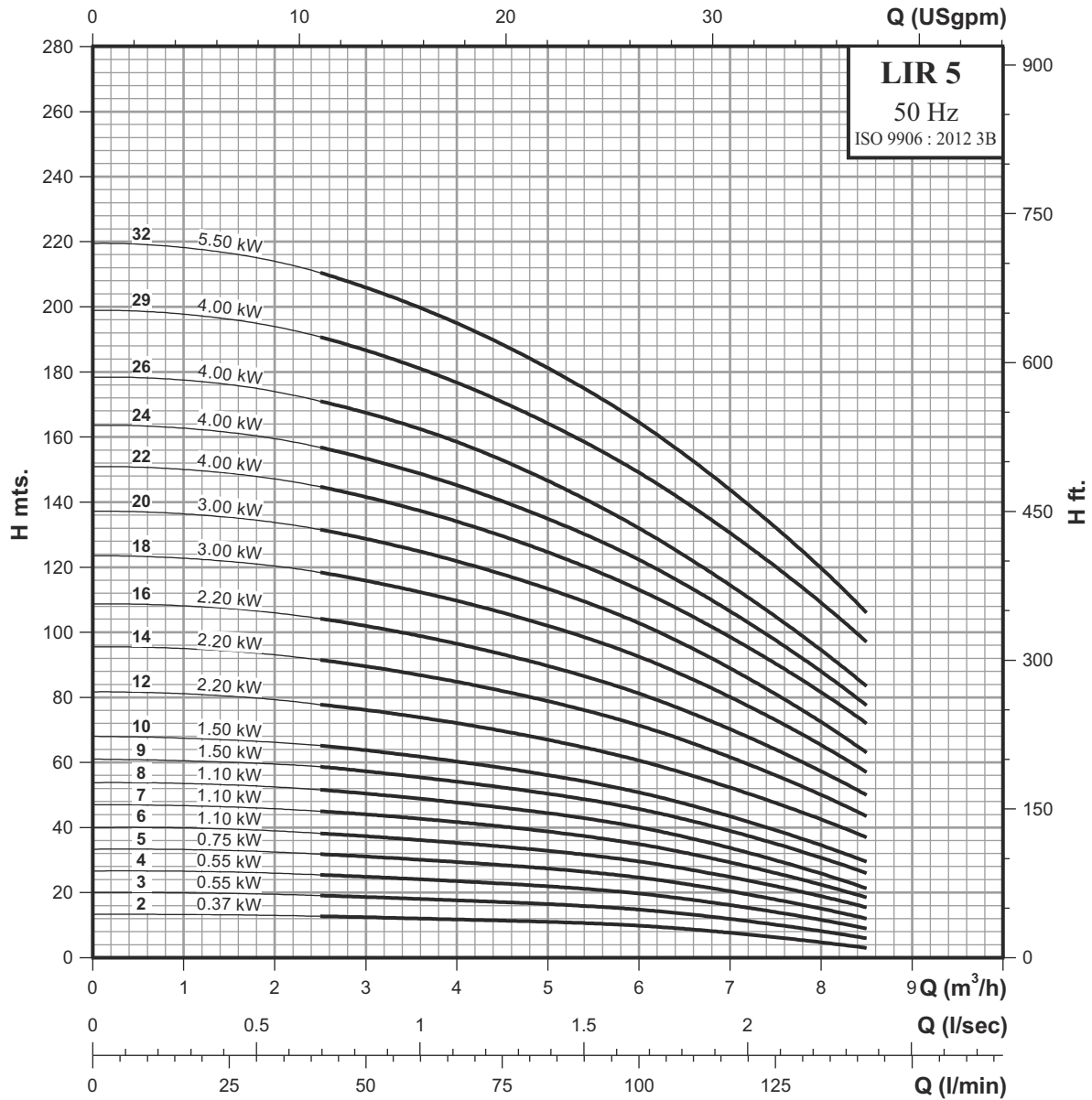
Pump type	KW	HP	FRAME	A	B	C	AC	D2	AD	Net weight [kg]
LIR 5-2/2	0.37	0.5	71	498	191	317.5	145	142	109	24.0
LIR 5-3/3	0.55	0.7	71	525	218	317.5	145	142	109	25.0
LIR 5-4/4	0.55	0.7	71	552	245	317.5	145	142	109	26.0
LIR 5-5/5	0.75	1.0	80	630.5	272	359	160	142	113	28.0
LIR 5-6/6	1.10	1.5	80	657.5	299	359	160	142	113	31.0
LIR 5-7/7	1.10	1.5	80	684.5	326	359	160	142	113	31.0
LIR 5-8/8	1.10	1.5	80	711.5	353	359	160	142	113	32.0
LIR 5-9/9	1.50	2.0	90	767	380	387	174	147	124	39.0
LIR 5-10/10	1.50	2.0	90	794	407	387	174	147	124	40.0
LIR5-12/12	2.20	3.0	90	848	461	387	174	147	124	42.0
LIR 5-14/14	2.20	3.0	90	902	515	387	174	147	124	44.0
LIR 5-16/16	2.20	3.0	90	956	569	387	174	147	124	49.0
LIR 5-18/18	3.00	4.1	100	1049	623	426	193.5	250	141	51.0
LIR 5-20/20	3.00	4.1	100	1103	677	426	193.5	250	141	63.0
LIR 5-22/22	4.00	5.4	112	1206	731	475	218	250	150	64.0
LIR 5-24/24	4.00	5.4	112	1260	785	475	218	250	150	65.0
LIR 5-26/26	4.00	5.4	112	1314	839	475	218	250	150	67.0
LIR 5-29/29	4.00	5.4	112	1395	920	475	218	250	150	83.0
LIR 5-32/32	5.50	7.5	132	1550	1001	549	262	300	180	85.0



# Performance Curves

Vertical multistage centrifugal pumps

## LIR 5



## LUBI INDUSTRIES LLP

Near Kalyan Mills, Naroda Road, Ahmedabad-380 025, INDIA.  
Phone : +91 - 79 - 61700100, Fax No. :+91 - 79 - 61700399.

**Sales Enquiries:** [indsales@lubipumps.com](mailto:indsales@lubipumps.com), [expsales@lubipumps.com](mailto:expsales@lubipumps.com)

**[www.lubipumps.com](http://www.lubipumps.com)**

*Product Improvement is a continuous process at 'LUBI'. The data given in this publication is therefore subject to revision.*

00.01.020221.0119



ISO 9001



ISO 14001

**Customer Care Number : 09824200800**